

Made in Europe



product guarantee<sup>1</sup>



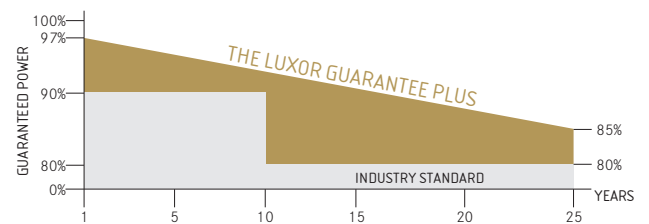
linear performance guarantee<sup>1</sup>



## ECO LINE

## P60/250 – 270 W

Polycrystalline module family



Longlife tested



Power proofed



Safety provided



Selection of components



Cross-linking degree test



Performance surplus of 0Wp to 6.49 Wp



Imp sorting



Special packing to avoid micro cracks in the cells



German warrantor

The 60-cell module is the large-size all-rounder among the Luxor solar modules. Eco in this case means especially economical: The high wattage makes the module the ideal solution for industrial scale equipments. From the open-field facilities, through the tracking system, to the roof-mounted installation. High-quality solar cell with an efficiency up to 20.6% at the best possible low light behaviour ensure the best energy output. And this at plus tolerances of 0Wp to 6.49Wp.

Exemplary in the manufacturing quality, too: An especially durable plug-in connection guarantees the best power contact under all conditions, and the hollow-section frame made of anodised aluminium and compatible with every assembly system, is torsionally stiff and corrosion-free. Manufactured according to German standards each Luxor photovoltaic module is marked by a special level of durability and reliability.

# ECO LINE P60/250 - 270W



Polycrystalline module family

| Electrical data                           | LX-250P  | LX-255P  | LX-260P  | LX-265P  | LX-270P  |
|-------------------------------------------|----------|----------|----------|----------|----------|
| Rated power P <sub>mpp</sub> [Wp]         | 250.00   | 255.00   | 260.00   | 265.00   | 270.00   |
| P <sub>mpp</sub> range from               | 250.00   | 255.00   | 260.00   | 265.00   | 270.00   |
| P <sub>mpp</sub> range to                 | 256.49   | 261.49   | 266.49   | 271.49   | 276.49   |
| Rated current I <sub>mpp</sub> [A]        | 8.14     | 8.23     | 8.32     | 8,41     | 8.50     |
| Rated voltage V <sub>mpp</sub> [V]        | 30.75    | 31.02    | 31.28    | 31.54    | 31.80    |
| Short-circuit current I <sub>sc</sub> [A] | 8.59     | 8.62     | 8.66     | 8.70     | 8.74     |
| Open-circuit voltage U <sub>oc</sub> [V]  | 37.31    | 37.48    | 37.94    | 38.40    | 38.87    |
| Efficiency at STC                         | 15.38%   | 15.69%   | 15.99%   | 16.30%   | 16.61%   |
| Efficiency at 200 W/m <sup>2</sup>        | 14.94%   | 15.23%   | 15.53%   | 16.15%   | 16.15%   |
| NOCT [°C]                                 | 45 ± 2°C | 45 ± 2°C | 45 ± 2°C | 45 ± 2°C | 45 ± 2°C |

Specification as per STC (Standard test conditions): irradiance 1000 W/m<sup>2</sup> | module temperature 25°C | AM = 1,5  
 NOCT (nominal operating cell temperature): irradiance 800 W/m<sup>2</sup> | wind speed 1 m/sec | temperature 20°C | AM = 1,5

| Limiting values             | LX-250P / LX-255P / LX-260P / LX-265P / LX-270P |
|-----------------------------|-------------------------------------------------|
| Max. system voltage [V]     | 1000 V                                          |
| Max. return current [I]     | 15 A                                            |
| Temperature range           | -40 to 85°C                                     |
| Snow-load zone <sup>2</sup> | approval up to SLZ 3 (according to DIN 1055)    |
| Max. pressure load (static) | 5400 Pa                                         |

| Temperature coefficient                 | LX-250P / LX-255P / LX-260P / LX-265P / LX-270P |
|-----------------------------------------|-------------------------------------------------|
| Temperature coefficient [V]   [I]   [P] | -0.32% /°C   0.05% /°C   -0.45% /°C             |

| Specifications                                      | LX-250P / LX-255P / LX-260P / LX-265P / LX-270P                  |
|-----------------------------------------------------|------------------------------------------------------------------|
| Number of cells (matrix)                            | 6 x 10, three strings in a row                                   |
| Cell size                                           | 156 mm x 156 mm                                                  |
| Module dimensions (L x W x H) <sup>2</sup>   Weight | 1640 mm x 992 mm x 40 mm   18.6 kg                               |
| Front-side glass                                    | 3.2 mm hardened solar glass with low iron content                |
| Frame                                               | stable, anodised aluminium frame in a hollow-section design      |
| Socket                                              | plastic (PPO), IP65, ventilated and strain-relieved              |
| Diodes                                              | 3 Schottky Diodes 15A/45V                                        |
| Cable                                               | 4 mm <sup>2</sup> solar cable, cable length 1.0 m                |
| Plug-in connection                                  | high-quality plug-in system, (IP65) MC4 or equivalent            |
| Hail test (max. hailstorm)                          | ∅ 45 mm   impact velocity 23 m/s                                 |
| General technical approval                          | classified according to DIN EN 13501-5 as B <sub>ROOF</sub> (ti) |

The specifications and average values can vary slightly. What is important is the corresponding data of the individual measurement. Specifications are subject to change without notice. Measurement tolerance: rated power +/- 3%, other values +/- 10%, all information in this data sheet corresponds to DIN 50380. A potential light-induced degradation of the power after commissioning is not considered here, other information can be found in the installation guidelines.

1 The specific warranty conditions are given under [www.luxor-solar.com/download.htm](http://www.luxor-solar.com/download.htm)

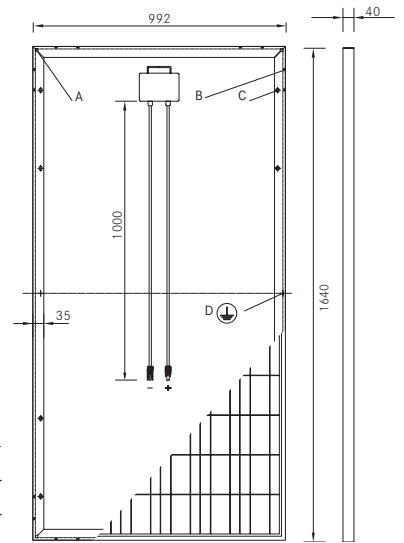
2 For standing installation

3 Tolerance L/W = +/- 3 mm, H = the dimensions given in the order confirmation will be decisive

4 Location on request

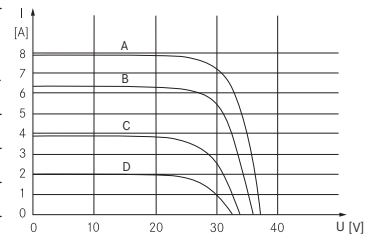
Luxor, your specialised company

Back view/ Front view/ Side view<sup>3</sup>

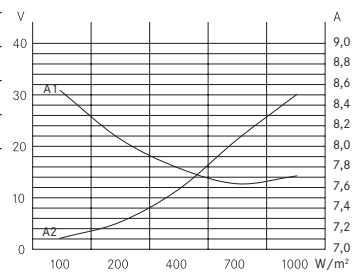


- A: 4 x drainage 10\*10 mm
- B: 8 x ventilation aperture 3\*7 mm
- C: 8 x mounting hole<sup>4</sup> d = 7 mm
- D: 2 x earthing d = 2 mm

### Characteristics



A: 1000 W/m<sup>2</sup> | B: 800 W/m<sup>2</sup> | C: 500 W/m<sup>2</sup> | D: 250 W/m<sup>2</sup>



A1: I<sub>mpp</sub> | A2: V<sub>mpp</sub>

Guidelines: 2006/95/EG-2006/95/EC,89/336/EWG-89/336/EEC,93/68/EWG-93/68/EEC



The validity of the certificates/listings for a specific country has to be examined under:  
[www.luxor-solar.com/download.htm](http://www.luxor-solar.com/download.htm)